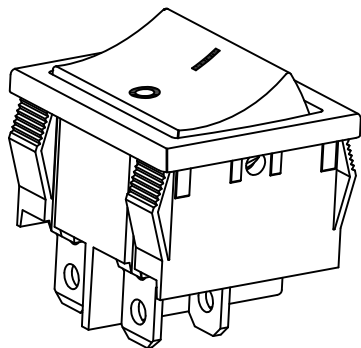
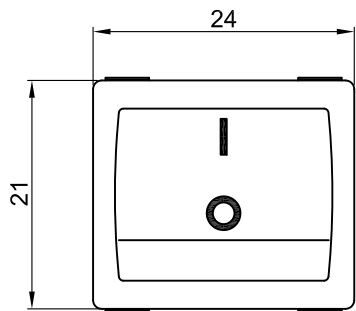




东莞市宏聚电子五金制品有限公司

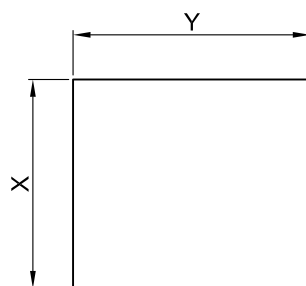
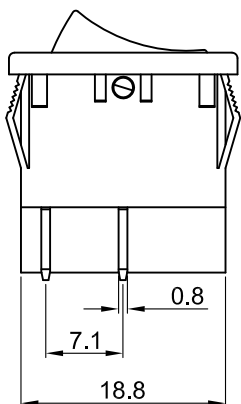
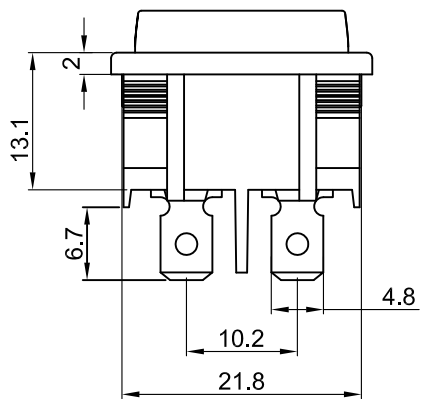
HONGJU(DONGGUAN)ELECTRONIC & METAL PRODUCTS CO.,LTD

MR-4



Rating: 10A 125V AC, 6A 250V AC (UL CUL) US
 6A 250V AC (VDE CQC CB)

Contact Resistance: 50mΩ Max
 Insulation Resistance: DC 500V 100MΩ Min
 Dielectric Strength: AC1500V 1 minute
 Electrical life: 10,000 cycles
 Operating Temperature: 0°C~85°C

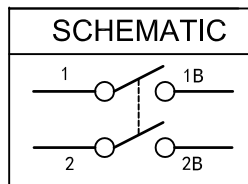


CUT-OUT

	X	Y
0.75~1.25	19.2-0.1	21.8~21.9
1.25~2.00	19.4-0.1	21.8~21.9
2.00~3.00	19.8-0.1	21.8~21.9

MATERIAL:

Body:Nylon66,UL rated:94V-2 min
 Actuator:Nylon66,UL rated:94V-2 min
 Terminal:Brass,silver or tin plated



	X	0	1	2	3	4	5	7	8	9
Marking	None		ON OFF					Front/前进 Back/后退	Front Back	开 关

				公差 TOLERANCES		.X± 0.3 .XX± 0.15		角度 ANGLE ± 1°		单位 DIMENSION UNIT mm.	
				版本 VERSION	A1	比例尺 SCALE	NONE	日期 DATE	2020.04.15	品名 TITLE	图号 DRAWING NO
A1	重新整理后发行	2020.04.15	N/A	核准		核对	Z.H.B.	绘图		MR-4-210-C5N-BR	MR-4-210-C5N-BR_A1
版本 VER.	变更说明 CHANGE DESCRIPTION	日期 DATE	ECN NO.	APPROVED BY		CHECKED BY		DRAWN BY			