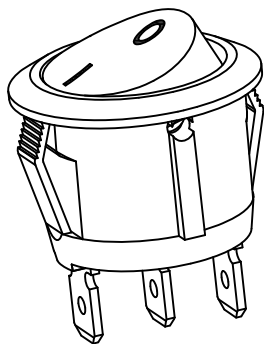
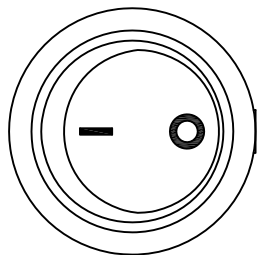




东莞市宏聚电子五金制品有限公司

HONGJU(DONGGUAN)ELECTRONIC & METAL PRODUCTS CO.,LTD

MR-5



Rating: 10A 125V AC, 6A 250V AC (UL CUL )<sub>C</sub>  US

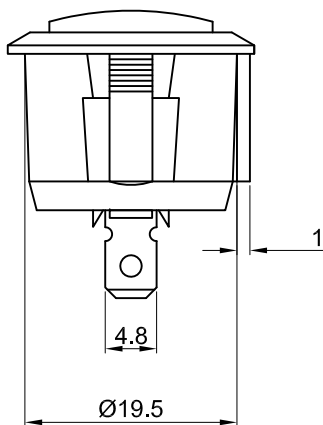
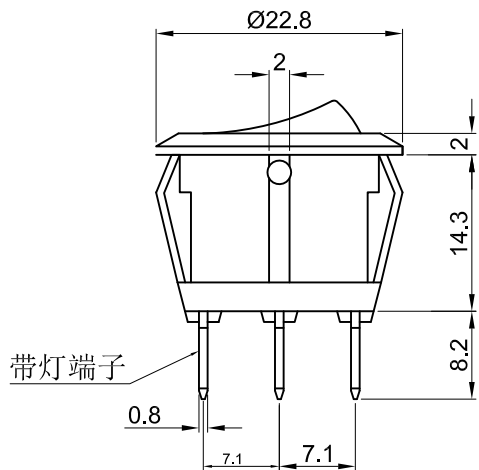
6A 250V AC ( VDE CQC CB)  

Contact Resistance: 50mΩ Max

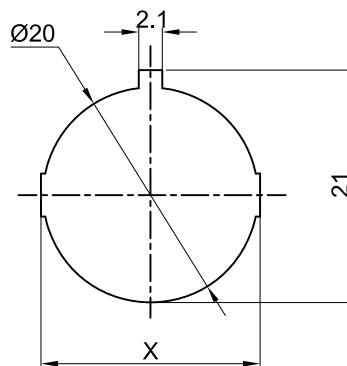
Insulation Resistance: DC 500V 100MΩ Min

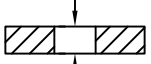
Dielectric Strength: AC1500V 1 minute

Operating Temperature: 0°C~85°C



CUT-OUT



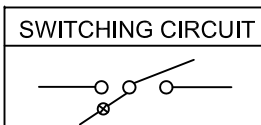
	X
0.75~1.25	20.2
1.25~2.00	20.4
2.00~3.00	20.6









MATERIAL:

Body:Nylon66,UL rated:94V-2 min

Actuator:PC

Terminal:Brass,silver or tin plated



x	0	1	2	3	4	5	6	7	11
Marking	None								

		公差 TOLERANCES		.X± 0.3	.XX± 0.15	角度	± 1°	单位 DIMENSION UNIT mm.	
		版本 VERSION	A0	比例尺 SCALE	NONE	日期 DATE	2020.12.28	品名 TITLE	图号 DRAWING NO
		核准 APPROVED BY	王龙	核对 CHECKED BY	Z. H. B.	绘图 DRAWN BY	王立权	MR-5-110-C5L-BG	MR-5-110-C5L-BG_A0
版本 VER.	变更说明 CHANGE DESCRIPTION	日期 DATE	ECN NO.	APPROVED BY	王龙	CHECKED BY	Z. H. B.	DRAWN BY	王立权