



东莞市宏聚电子五金制品有限公司

HONGJU(DONGGUAN)ELECTRONIC & METAL PRODUCTS CO.,LTD

MR-2A

Rating: 10A 125V AC (UL CUL)
6A 250V AC (UL CUL VDE CB)

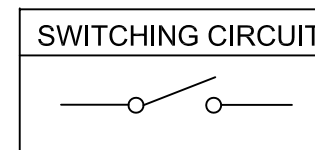
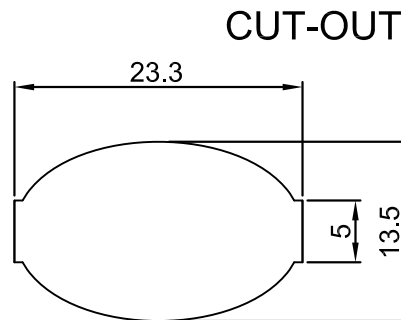
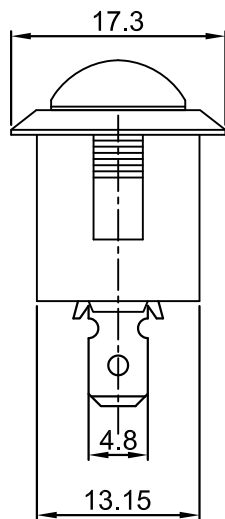
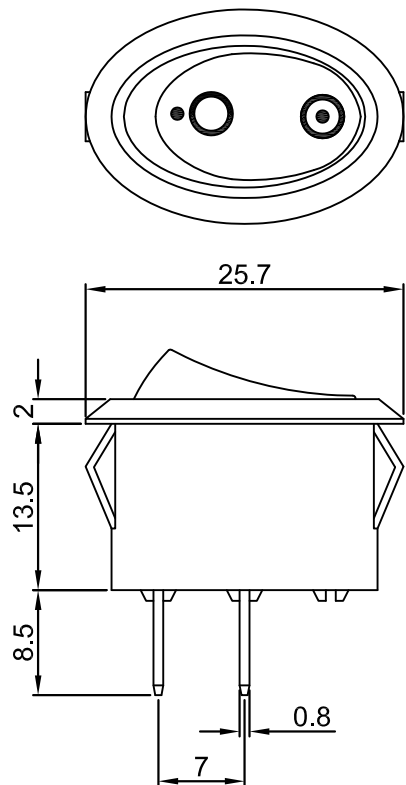
Contact Resistance: 50mΩ Max

Insulation Resistance: DC 500V 100MΩ Min

Dielectric Strength: AC1500V 1 minute

Electrical life: 10,000 cycles

Operating Temperature: 0°C ~ 85°C



MATERIAL:

Body:Nylon66,UL rated:94V-2 min

Actuator:Nylon66,UL rated:94V-2 min

Terminal:red brass ,silver or tin plated

X	0	1	3	4	5	7	8	9	A	B
Marking	None									

		公差 TOLERANCES		.X± 0.3	.XX± 0.15	角度 ± 1°		单位 DIMENSION UNIT mm.	
		版本 VERSION	A0	比例尺 SCALE	NONE	日期 DATE	2019.11.18	品名 TITLE	图号 DRAWING NO
		核准 APPROVED BY	王龙	核对 CHECKED BY	Z. H. B.	绘图 DRAWN BY	Z. H. B.	MR-2A-110-CGN-WW	MR-2A-110-CGN-WW_A0
版本 VER.	变更说明 CHANGE DESCRIPTION	日期 DATE	ECN NO.	APPROVED BY	王龙	CHECKED BY	Z. H. B.	DRAWN BY	Z. H. B.