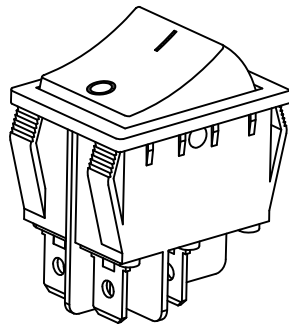
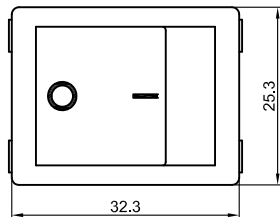


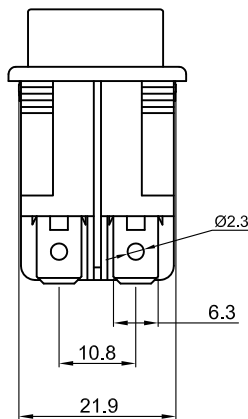
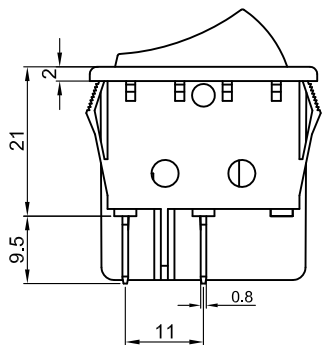


R

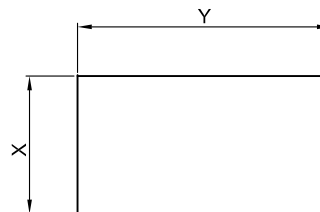


Rating: 25A 125V AC  
25A 250V AC

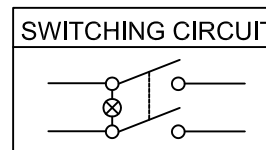
Contact Resistance: 50m Ω (Max)  
Insulation Resistance: DC 500V 100M Ω (Min)  
Dielectric Strength: AC1500V 1 minute  
Electrical life: 10,000 cycles  
Operating Temperature: 0°C~85°C



CUT-OUT



	X	Y
0.75~1.25	30.0+0.1	122.0+0.1
1.25~2.00	30.2+0.1	122.0+0.1
2.00~3.00	30.4+0.1	122.0+0.1



ON-OFF

MATERIAL:

Body:Nylon66,UL rated:94V-2 min  
Actuator:PC/Nylon66,UL rated:94V-2 min  
Terminal:Brass with silver-plate

Marking	x	0	1	2	3	4	5	7	8	9	B	C	E	F	G
	柄	None	●	ON OFF	—	—	○	○	Front/前进 Back/后退	Front Back	强劲 柔和	⚡ STOP	RUN 充电 确认	开关	○

				公差 TOLEANCES		.X± 0.3 .XX± 0.15		角度 ± 1°		单位 DIMENSION UNIT		mm.			
				版本 VERSION	A0	比例尺 SCALE	NONE	日期 DATE	2020.08.25	品名 TITLE		图号 DRAWING NO			
				核准 APPROVED BY		核对 CHECKED BY	Z. H. B.	绘图 DRAWN BY	王立权	R-210-C5L-BR		R-210-C5L-BR-A1			
版本 VER.	变更说明 CHANGE DESCRIPTION	日期 DATE	ECN NO.												