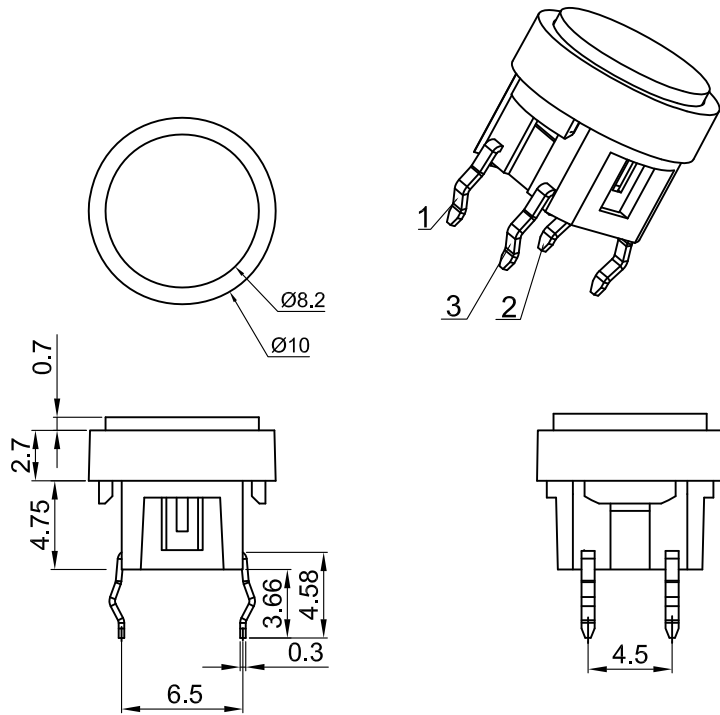


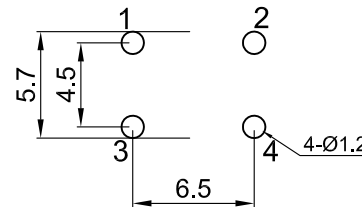


TS2

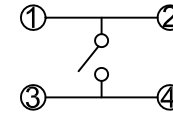


Specifications  
 Circuit :SPST  
 Current rating :50mA  
 Voltage rating :12VDC  
 Dielectric withstanding voltage:250VAC for 1 minute  
 Contact resistance :100m $\Omega$  Max. (Initial)  
 Insulation resistance :100M $\Omega$  Min.  
 Operating force :300 $\pm$ 50gf  
 :200 $\pm$ 50gf  
 Total travel :0.25mm $\pm$ 0.1mm  
 Operating life :100,000 cycles Min  
 Solder specifications :260 $^{\circ}$  C for 5 seconds  
 Function :Momentary  
 Operating temperature :+10 $^{\circ}$  C ~ +60 $^{\circ}$  C

P.C.B. LAYOUT



CIRCUIT



MATERIAL:

Base Frame: Nylon46, UL rated:94 V-2 Min. ;  
 Outer Frame: Nylon66, UL rated:94 V-2 Min. ;  
 Actuator: PBT, UL rated:94 V-2 Min. ;  
 Cap: ABS ;  
 Terminal: Brass, Silver or Tin plated .

				公差 TOLERANCES		.X $\pm$ 0.3		.XX $\pm$ 0.15		角度 ANGLE $\pm 1^{\circ}$		单位	DIMENSION UNIT	mm.
A2	重新整理后发行	2019.10.16	N/A	版本	A2	比例尺	NONE	日期	2019.10.16	品名	TITLE	图号	DRAWING NO	
A1	重新整理后发行	2014.07.17	N/A	核准		核对	Z.H.B.	绘图	王立权	TS2-2A-3YN		TS2-2A-3YN_A2		
版本 VER.	变更说明 CHANGE DESCRIPTION	日期 DATE	ECN NO.	APPROVED BY		CHECKED BY		DRAWN BY						