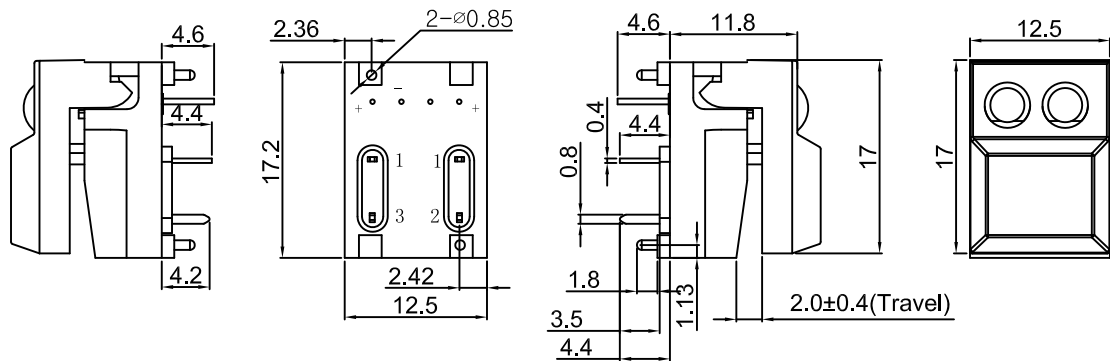


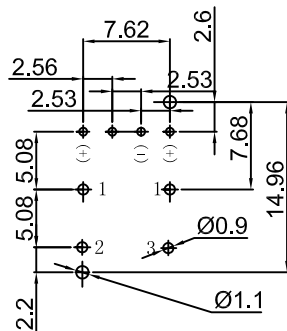
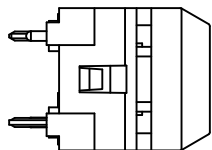
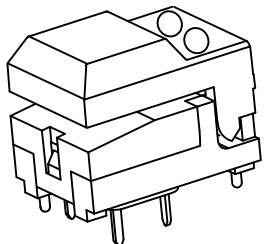


# PB86

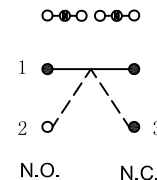


### Specifications

- Circuit :SPDT
- Current rating :12mA
- Voltage rating :24VDC
- Dielectric withstanding voltage:250VAC for 1 minute
- Contact resistance :100m Ω Max. (Initial)
- Insulation resistance :100M Ω Min.
- Operating force :150±50gf
- Travel :2.0mm±0.4mm
- Operating life :50,000 cycles Min.
- Solder specifications :260° C for 5 seconds
- Function :Momentary
- Operating temperature :+10° C ~ +60° C



P.C.B . Layout



Circuit Diagram

### MATERIAL

Base:Nylon66, UL rated: 94V-2 Min.;  
 Cap: ABS;  
 Terminal: Phosphor bronze, Golden plated.

|               |                |     |
|---------------|----------------|-----|
| O             | Orange         | 橘色  |
| F             | Carnation Pink | 粉红  |
| C             | Carmine        | 洋红  |
| P             | Pansy          | 紫罗兰 |
| Y             | Yellow         | 黄色  |
| W             | White          | 白色  |
| U             | Blue           | 蓝色  |
| R             | Red            | 红色  |
| G             | Green          | 绿色  |
| B             | Black          | 黑色  |
| A             | Gray           | 灰色  |
| CAP COLOR (X) |                |     |

| RG                     | 灯管颜色<br>Red Tube Color | 1.8     | 2.2 | 2.4 | 20             | 120            | 567         | 575           |
|------------------------|------------------------|---------|-----|-----|----------------|----------------|-------------|---------------|
| U                      | 蓝色                     | 1.8     | 2.2 | 2.4 | 20             | 120            | 620         | 625           |
| G                      | 黄绿色                    | 1.8     | 2.2 | 2.4 | 20             | 120            | 567         | 575           |
| O                      | 橙色                     | 1.8     | 2.2 | 2.4 | 20             | 120            | 600         | 610           |
| R                      | 红色                     | 1.8     | 2.2 | 2.4 | 20             | 120            | 620         | 625           |
| 灯发光颜色<br>Emitted color |                        | 最小      | 一般  | 最大  | 最大操作电流<br>(mA) | 最大脉冲电流<br>(mA) | 主波长<br>(nm) | 峰值波<br>长 (nm) |
|                        |                        | 顺向电压(V) |     |     |                |                |             |               |

|         |                         |  |  | 公差 TOLEANCES  |         | . X± 0.3 . XX± 0.15 角度 ANGLE ± 1° |                  |            | 单位 DIMENSION UNIT |                | mm. |                   |
|---------|-------------------------|--|--|---------------|---------|-----------------------------------|------------------|------------|-------------------|----------------|-----|-------------------|
|         |                         |  |  | 版本<br>VERSION | A3      | 比例尺<br>SCALE                      | NONE             | 日期<br>DATE | 2020.03.13        | 品名 TITLE       |     | 图号<br>DRAWING NO  |
| A1      | 图纸重新整理发行                |  |  | 2020.03.13    | N/A     |                                   |                  |            |                   | PB86-A2-U-R-YG |     | PB86-A2-U-R-YG_A3 |
| A0      | New Issue               |  |  | 2008.07.08    | N/A     |                                   |                  |            |                   |                |     |                   |
| 版本 VER. | 变更说明 CHANGE DESCRIPTION |  |  | 日期 DATE       | ECN NO. | 核准<br>APPROVED BY                 | 核对<br>CHECKED BY | Z. H. B.   | 绘图<br>DRAWN BY    | HXG            |     |                   |