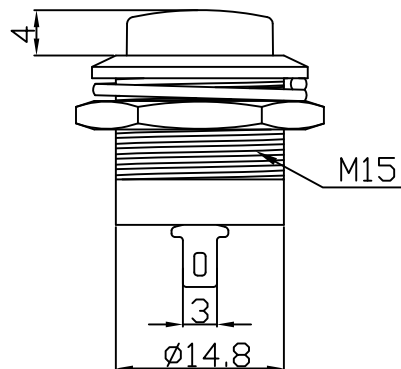
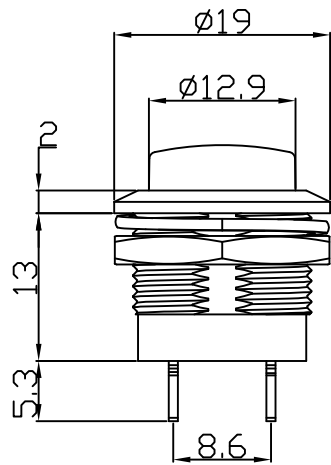
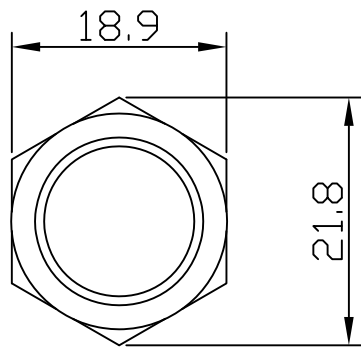




PB-02



Rating: 6A 125V AC ;

3A 250V AC ;

Contact Resistance: 50mΩ Max. ;

Insulation Resistance:DC 500V 100MΩ Min. ;

Dielectric Strength:AC 1000V 1 minute

Total Travel: 2.4±0.4mm

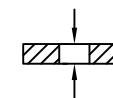
Operating Force:250±50gf

Operating Life:10,000 cycles

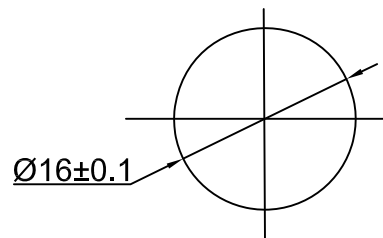
Machanical Life:50,000 cycles Min. ;

Operating Temperature:0°C~85°C

Function: OFF-(ON)



Panel Thinkness: 3mm MAX.



CUT-OUT

MATERIAL

Base: PA66, UL rated :94V-2 Min. ;

Cap: ABS ;

Terminal: Copper,Silver or Tin plated ;

Nut: Brass,Ni plated.

|    |       |               |
|----|-------|---------------|
| 3  |       | Y Yellow 黄色   |
|    |       | W White 白色    |
|    |       | U Blue 蓝色     |
|    |       | R Red 红色      |
| 2  | Reset | O Orange 橙色   |
|    |       | G Green 绿色    |
| 1  |       | B Black 黑色    |
|    |       | A Gray 灰色     |
| 印字 |       | CAP COLOR (X) |

|         |                         |             |         |              |    |                   |          |          |            |                   |               |
|---------|-------------------------|-------------|---------|--------------|----|-------------------|----------|----------|------------|-------------------|---------------|
|         |                         |             |         | 公差 TOLEANCES |    | .X± 0.3 .XX± 0.15 | 角度       | ± 1°     |            | 单位 DIMENSION UNIT | mm.           |
|         |                         |             |         | 版本 VERSION   | A1 | 比例尺 SCALE         | NONE     | 日期 DATE  | 2020.07.09 | 品名 TITLE          | 图号 DRAWING NO |
| A1      | 重新整理发行                  | 2020. 7. 9  | N/A     |              |    |                   |          |          |            | PB-02-PM-B        | PB-02-PM-B_A1 |
| A0      | 新发行                     | 2007. 7. 15 | N/A     | 核准           |    | 核对                | Z. H. B. | 绘图       | HXG        |                   |               |
| 版本 VER. | 变更说明 CHANGE DESCRIPTION | 日期 DATE     | ECN NO. | APPROVED BY  |    | CHECKED BY        |          | DRAWN BY |            |                   |               |