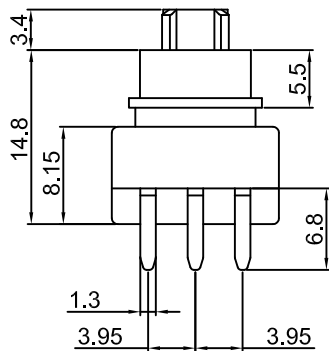
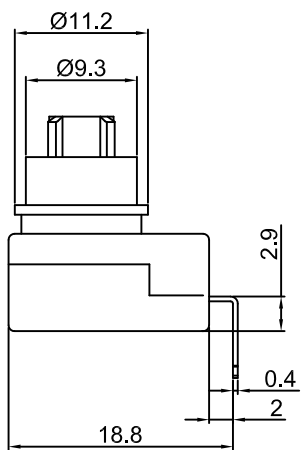
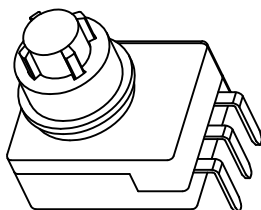
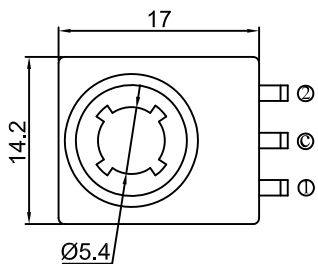





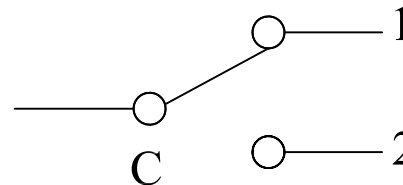
PB-03



SPECIFICATIONS:

- Rating: 7A 14 VDC (UL CUL); 
- Contact Resistance: 50mΩ Max. ;
- Insulation Resistance: 500VDC 100MΩ Min. ;
- Withstand Voltage: 1000VAC 1 minute ;
- Operating Force: 800g±150g ;
- Travel: 2.6±0.4mm ;
- Life Cycle: 10,000 cycles

FUNCTION: ON(C-1) - ON(C-2)



Circuit Diagram

MATERIAL:

- Base: Nylon66 , UL rated:94V-2 Min. ;
- Cap: Nylon66 UL rated: 94V-2 Min. ;
- Terminal: Brass,Silver or Tin plated .

				公差 TOLEANCES		.X± 0.3	.XX± 0.15	角度 ± 1°		单位 DIMENSION UNIT mm.	
			N/A	版本	A2	比例尺	NONE	日期	2020.08.30	品名	图号
A2	图纸重新整理发行	2020.08.30	N/A	VERSION		SCALE		DATE		TITLE	DRAWING NO
A0	New Lssue	2008.07.08	N/A	核准		核对	Z. H. B.	绘图	HXG	PB-03-31-3-AA	PB-03-31-3-AA_A2
版本 VER.	变更说明 CHANGE DESCRIPTION	日期 DATE	ECN NO.	APPROVED BY		CHECKED BY		DRAWN BY			