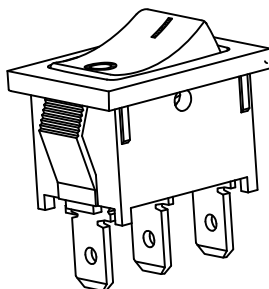
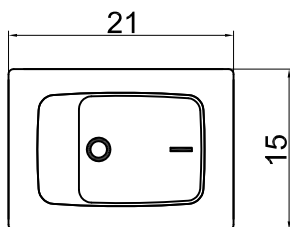




东莞市宏聚电子五金制品有限公司

HONGJU(DONGGUAN)ELECTRONIC & METAL PRODUCTS CO.,LTD

MR-1



Rating: 10A 125V AC (UL CUL) c us
6A 250V AC (CQC ENEC VDE)

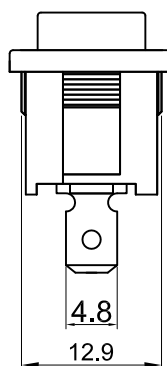
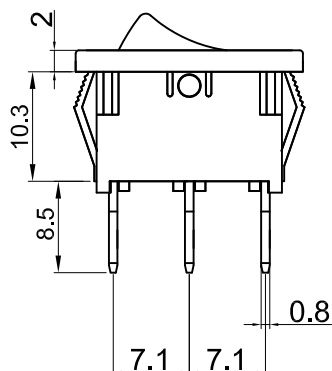
Contact Resistance: 50mΩ Max

Insulation Resistance: DC 500V 100MΩ Min

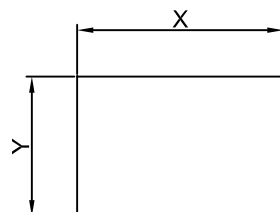
Dielectric Strength: AC1500V 1 minute

Electrical life: 10,000 cycles

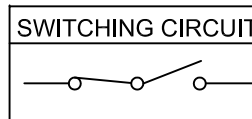
Operating Temperature: 0°C~85°C



CUT-OUT



	X	Y
0.75~1.25	19.2-0.1	13.0+0.1
1.25~2.00	19.4-0.1	13.0+0.1
2.00~3.00	19.8-0.1	13.0+0.1



MATERIAL:

Body:Nylon66,UL rated:94V-2 min

Actuator:Nylon66,UL rated:94V-2 min

Terminal:Brass,silver or tin plated

Roto:Brass,Ni plated

0	1	2	3	4	5	6	7	8	9	A	B	C	D	E	F	G	H	J	L	
None	•	ON OFF		○	○		ON/开 OFF/关	☼	1/0	☼	○	⊕	⊕	⊕	⊕	⊕	⊕	开关	—	

				公差 TOLERANCES		.X±0.3 .XX±0.15		角度 ANGLE ± 1°		单位 DIMENSION UNIT mm.			
				版本 VERSION	A1	比例尺 SCALE	NONE	日期 DATE	2020.07.17	品名 TITLE		图号 DRAWING NO	
A1	重新整理后发行			2020.07.17	N/A	核准	核对	绘图		MR-1-120-C5N-BR		MR-1-120-C5N-BR_A1	
版本 VER.	变更说明 CHANGE DESCRIPTION			日期 DATE	ECN NO.	APPROVED BY	CHECKED BY	Z.H.B.	DRAWN BY				