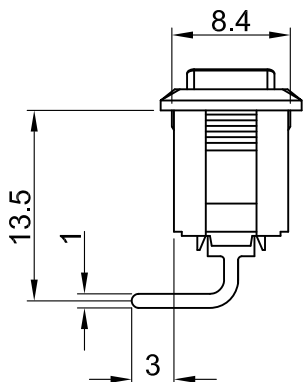
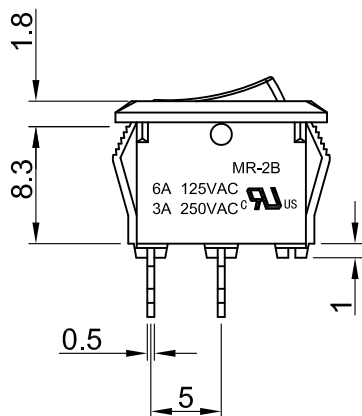
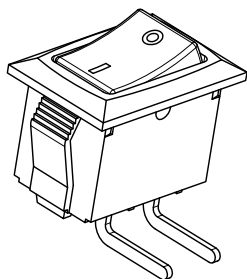
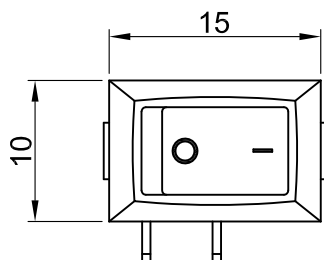




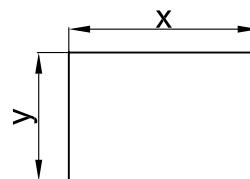
MR-2B

Rating: 6A 125V AC (UL CUL) US
 3A 250V AC (UL CUL VDE CB)

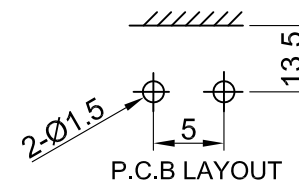
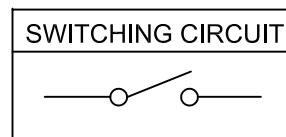
Contact Resistance: 50mΩ Max
 Insulation Resistance: DC 500V 100MΩ Min
 Dielectric Strength: AC1500V 1 minute
 Electrical life: 10,000 cycles
 Operating Temperature: 0°C ~100°C



CUT-OUT



	X	Y
	0.75~1.25	13.6-0.1
	1.25~2.00	13.7-0.1
	2.00~3.00	13.8-0.1



MATERIAL:

Body:Nylon66,UL rated:94V-2 min
 Actuator:Nylon66,UL rated:94V-2 min
 Terminal:Brass,silver or tin plated

X	0	1	3	4	5	6
Marking	None					

公差 TOLERANCES		.X± 0.3 .XX± 0.15		角度 ± 1°		单位 DIMENSION UNIT mm.	
版本 VERSION	A0	比例尺 SCALE	NONE	日期 DATE	2019.07.15	品名 TITLE	图号 DRAWING NO
核准 APPROVED BY	王龙	核对 CHECKED BY	Z. H. B.	绘图 DRAWN BY	HXG	MR-2B-114-C5N-BB	MR-2B-114-C5N-BB_A0
版本 VER.	变更说明 CHANGE DESCRIPTION	日期 DATE	ECN NO.	APPROVED BY	王龙	CHECKED BY	Z. H. B.