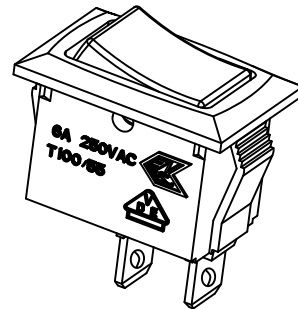
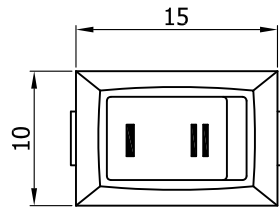




MR-2B



Rating: 6A 125V AC (UL CUL ) US  
3A 250V AC (UL CUL VDE CB)

Contact Resistance: 50mΩ Max

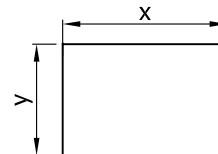
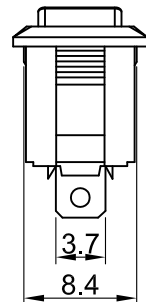
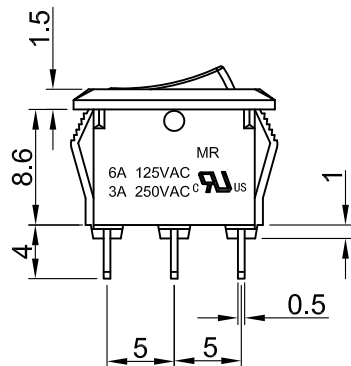
Insulation Resistance: DC 500V 100MΩ Min

Dielectric Strength: AC1500V 1 minute

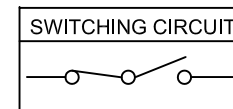
Electrical life: 10,000 cycles

Operating Temperature: 0°C~85°C

CUT-OUT



	X	Y
0.75~1.25	13.6-0.1	9.2±0.1
1.25~2.00	13.7-0.1	9.2±0.1
2.00~3.00	13.8-0.1	9.2±0.1



MATERIAL:

Body:Nylon66,UL rated:94V-2 min

Actuator:Nylon66,UL rated:94V-2 min

Terminal:Brass,silver or tin plated

X	0	1	3	4	5	6
Marking	None					

		公差 TOLERANCES		.X± 0.3 .XX± 0.15		角度 ± 1°		单位 DIMENSION UNIT mm.	
		版本 VERSION	A0	比例尺 SCALE	NONE	日期 DATE	2019.07.15	品名 TITLE	图号 DRAWING NO
		核准 APPROVED BY	王龙	核对 CHECKED BY	Z. H. B.	绘图 DRAWN BY	王立权	MR-2B-121-C3N-BB	MR-2B-121-C3N-BB_A0
版本 VER.	变更说明 CHANGE DESCRIPTION	日期 DATE	ECN NO.	APPROVED BY	王龙	CHECKED BY	Z. H. B.	DRAWN BY	王立权