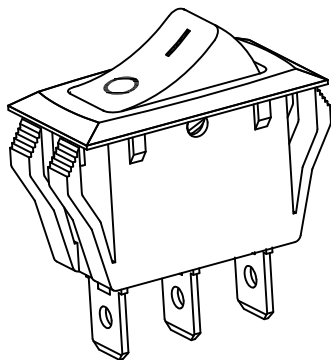
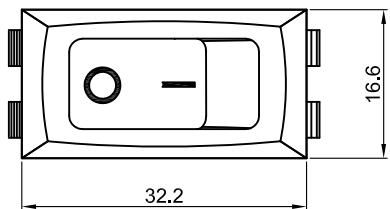
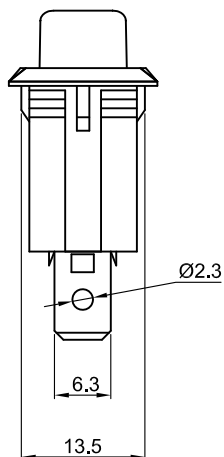
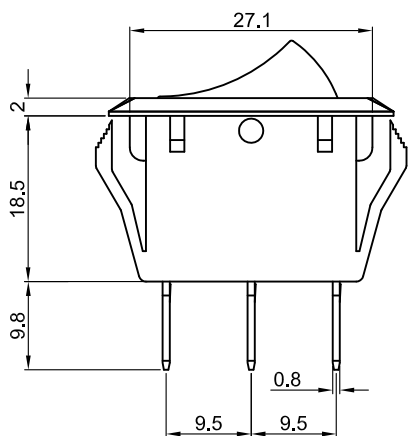




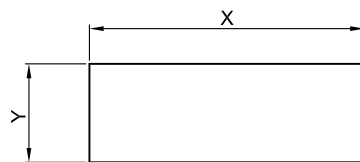
R-2



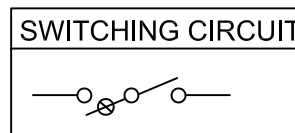
Rating: 16A 125V AC (UL CUL)
 16A 250V AC (UL CUL VDE ENEC CB CQC)
 Contact Resistance: 50m Ω (Max)
 Insulation Resistance: DC 500V 100M Ω (Min)
 Dielectric Strength: AC1500V 1 minute
 Electrical life: 10,000 cycles
 Operating Temperature: 0°C~85°C
 Safety Approval:



CUT-OUT



	X	Y
0.75~1.25	28.6±0.1	13.8±0.1
1.25~2.00	28.8±0.1	13.8±0.1
2.00~3.00	29.2±0.1	13.8±0.1



ON-OFF

MATERIAL:

Body:Nylon66,UL rated:94V-2 min
 Actuator:PC
 Terminal:Brass with silver-plate

X	0	1	2	3	4	5	6
Marking	None	•	OFF ON	— =	— ○	! ○	开 关

				公差 TOLERANCES		.X± 0.3 .XX± 0.15		角度 ANGLE ± 1°		单位 DIMENSION UNIT mm.	
				版本 VERSION	A1	比例尺 SCALE	NONE	日期 DATE	2019.11.02	品名 TITLE	图号 DRAWING NO
A1	重新整理发行		2019.11.02	N/A	核准	核对	Z.H.B.	绘图		R-2-110-C5L-BR	R-2-110-C5L-BR_A1
版本 VER.	变更说明 CHANGE DESCRIPTION		日期 DATE	ECN NO.	APPROVED BY	CHECKED BY	Z.H.B.	DRAWN BY			