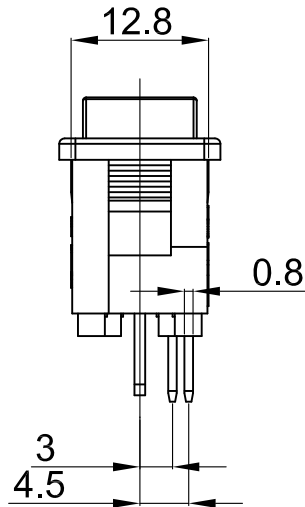
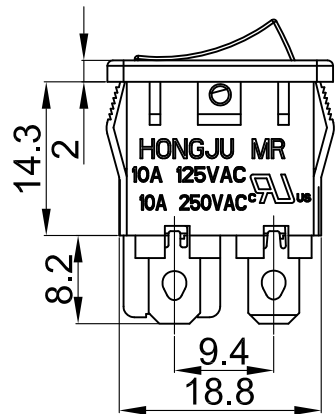
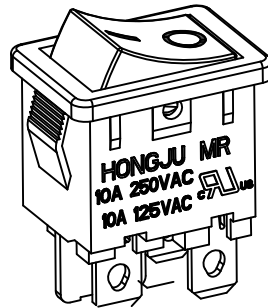
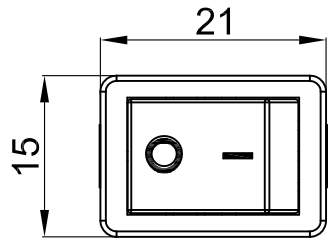




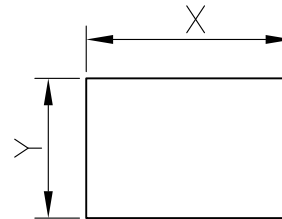
MR-6



Rating: 10A 125V AC (UL CUL)
 6A 250V AC (VDE CQC CB)

Contact Resistance: 50mΩ Max
 Insulation Resistance: DC 500V 100MΩ Min
 Dielectric Strength: AC1500V 1 minute
 Electrical life: 10,000 cycles
 Operating Temperature: 0°C ~ 85°C

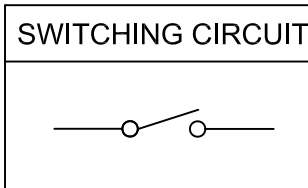
CUT-OUT



| | X | Y |
|-----------|----------|----------|
| 0.75~1.25 | 19.2-0.1 | 13.0+0.1 |
| 1.25~2.00 | 19.4-0.1 | 13.0+0.1 |
| 2.00~3.00 | 19.8-0.1 | 13.0+0.1 |

MATERIAL:

Body:Nylon66,UL rated:94V-2 min
 Actuator:Nylon66,UL rated:94V-2 min
 Terminal:Brass,silver or tin plated



| X | 0 | 1 | 2 | 4 | 5 | 6 | 7 |
|---------|------|---|---|---|---|---|----|
| Marking | None | | | | | | |
| | | | | | | | 开关 |

| 公差 TOLERANCES | | .X±0.3 | | .XX±0.2 | | 角度 ANGLE ±1° | | 单位 DIMENSION UNIT mm. | |
|---------------|-------------------------|------------|---------|-------------|------------|--------------|----------------|-----------------------|-------------------|
| 版本 VERSION | A1 | 比例尺 SCALE | NONE | 日期 DATE | 2020.07.15 | 品名 TITLE | MR6-110-C5N-BB | 图号 DRAWING NO | MR6-110-C5N-BB_A1 |
| A1 | 重新整理发行 | 2020.07.15 | N/A | 核准 | | 核对 | Z.H.B. | 绘图 | |
| 版本 VER. | 变更说明 CHANGE DESCRIPTION | 日期 DATE | ECN NO. | APPROVED BY | | CHECKED BY | | DRAWN BY | |