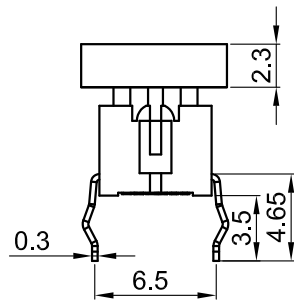
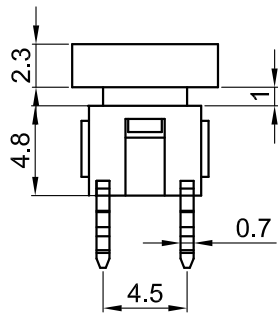
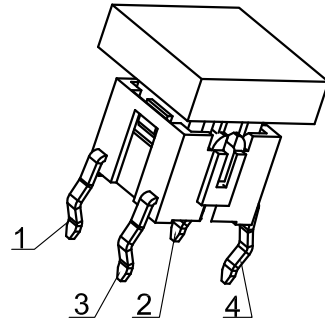
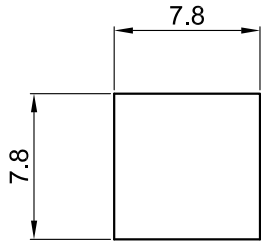




TS2



Specifications

Circuit :SPST

Current rating :50mA

Voltage rating :12VDC

Dielectric withstanding voltage:250VAC for 1 minute

Contact resistance :100mΩ Max. (Initial)

Insulation resistance :100MΩ Min.

Operating force :300±50gf

:200±50gf

Total travel :0.25mm±0.1mm

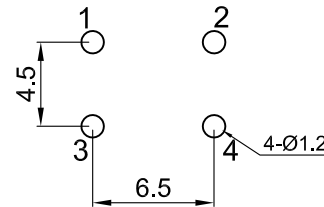
Operating life :100,000 cycles Min

Solder specifications :260° C for 5 seconds

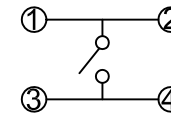
Function :Momentary

Operating temperature :+10° C ~ +60° C

P.C.B. LAYOUT



CIRCUIT



MATERIAL:

Base Frame: Nylon46, UL rated:94 V-2 Min. ;

Actuator: PBT, UL rated:94 V-2 Min. ;

Cap: ABS ;

Terminal: Brass, Silver or Tin plated .

				公差 TOLERANCES		.X± 0.3	.XX± 0.15	角度 ANGLE ± 1°		单位 DIMENSION UNIT	mm.
				版本 VERSION	A1	比例尺 SCALE	NONE	日期 DATE	2020.07.17	品名 TITLE	图号 DRAWING NO
A1	重新整理后发行			2020.07.17	N/A	核准		核对		TS2-1B-1BN	TS2-1B-1BN_A1
版本 VER.	变更说明 CHANGE DESCRIPTION	日期 DATE	ECN NO.	APPROVED BY	CHECKED BY	Z.H.B.	绘图 DRAWN BY				