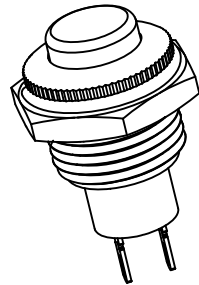
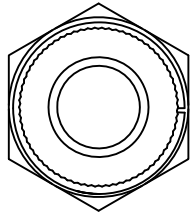




PB-01



Rating: 3A 125V AC ;

1.5A 250V AC ;

Contact Resistance: 50mΩ Max. ;

Insulation Resistance:DC 500V 100MΩ Min. ;

Dielectric Strength:AC 1000V 1 minute

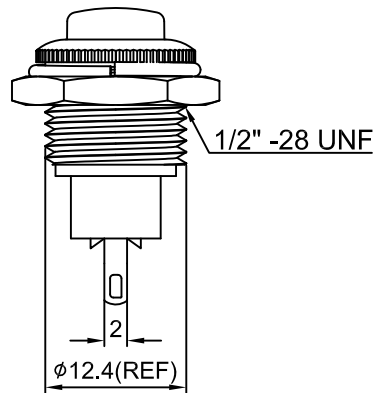
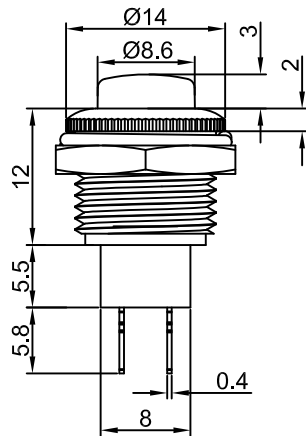
Total Travel: 2.0±0.4mm

Operating Force:150±100gf

Operating Life:10,000 cycles

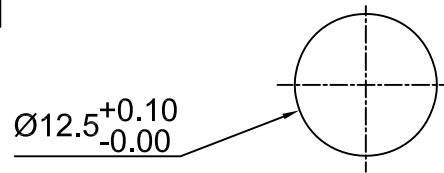
Machanical Life:50,000 cycles Min.;

Operating Temperature:0°C~85°C



Function: OFF-(ON)

PANEL MOUNTING



Panel Thinkness: 3mm MAX.

MATERIAL

Base: PA66, UL rated :94V-2 Min. ;

Cap: ABS ;

Terminal: Copper,Silver or Tin plated ;

Nut: Brass,Ni plated.

				公差 TOLERANCES	.X± 0.3	.XX± 0.15	角度	± 1°	单位 DIMENSION UNIT	mm.	
				版本 VERSION	A1	比例尺 SCALE	NONE	日期 DATE	2020.03.01	品名 TITLE	图号 DRAWING NO
A1	重新整理发行	2020. 3. 1	N/A	核准		核对	Z.H.B.	绘图	HXG	PB-01-MM-R	PB-01-MM-R_A1
版本 VER.	变更说明 CHANGE DESCRIPTION	日期 DATE	ECN NO.	APPROVED BY		CHECKED BY		DRAWN BY			